

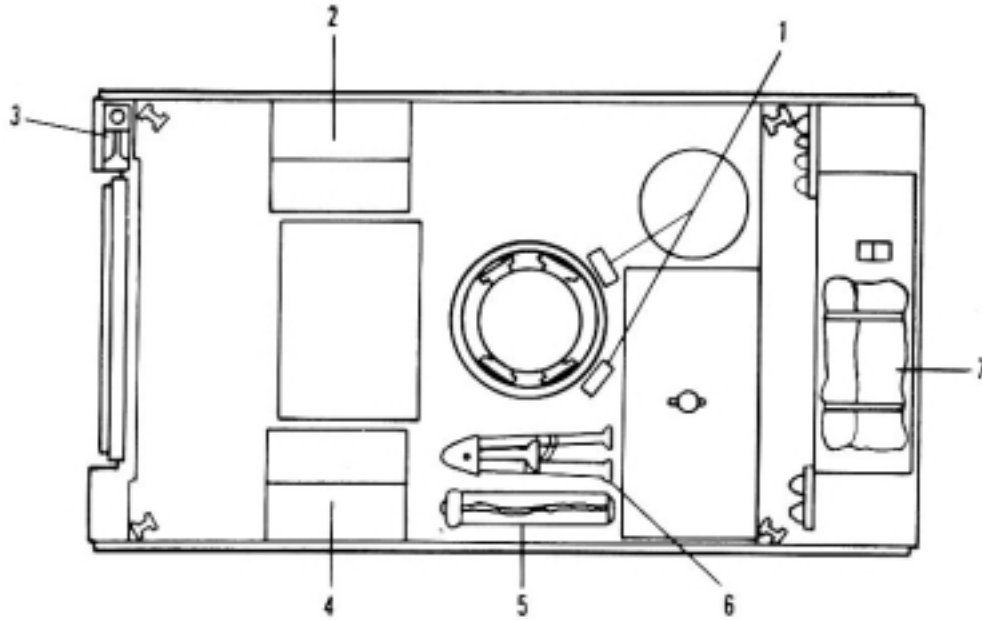
**GTA 07-04-002**

Headquarters, Department of the Army  
 APRIL 1984  
 Distribution: US Army Training and Audiovisual  
 Support Centers (TASC)

**STANDARD LOAD PLANS  
 M220**

DISTRIBUTION RESTRICTION: This publication contains technical or operational information that is for official Government use only. Distribution is limited to US Government agencies. Requests from outside the US Government for release of this publication under the Freedom of Information Act or the Foreign Military Sales Program must be made to HQ TRADOC, Ft Monroe, VA 23651.

**(EXTERNAL)**



- 1. AMMO CANS, CAL.50 (2 EA)
- 2. DUFFEL BAGS (2 EA)
- 3. WATER CAN
- 4. DUFFEL BAGS (2 EA)
- 5. CAMOUFLAGE SUPPORT SYSTEM
- 6. TRIPOD, CAL.50
- 7. CAMOUFLAGE SCREEN

---

---

---

---

---

---

---

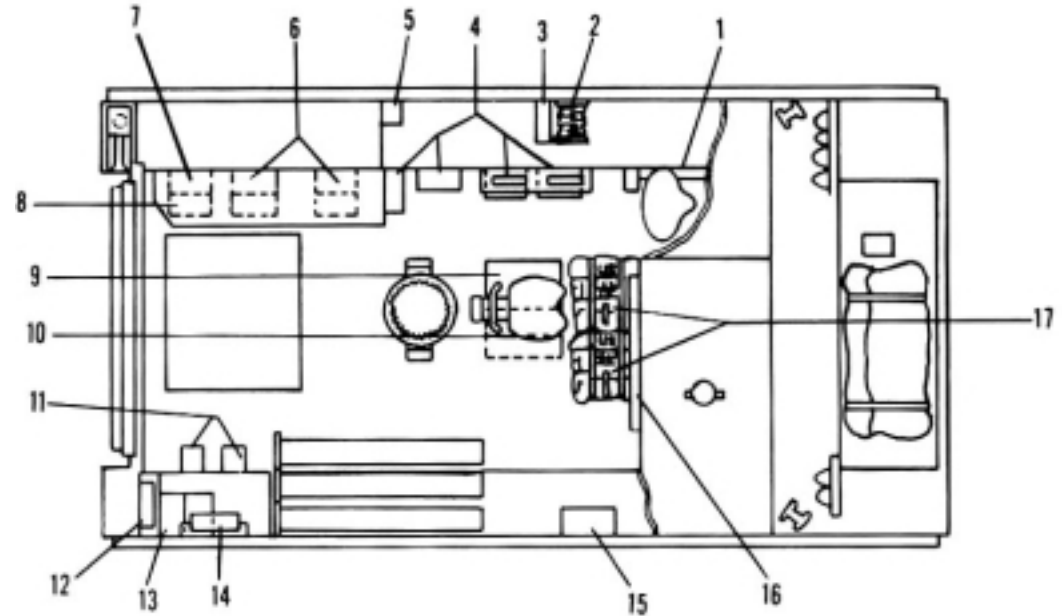
---

---

---

---

**(INTERNAL)**



- 1. MAP CANISTER
- 2. WD-1/TT, DR-8,1320 FT
- 3. BINOCULARS
- 4. AMMO CANS, CAL.50 (4 EA)
- 5. NIGHTSIGHT, TVS-4A
- 6. AMMO CANS, CAL.50 (4 EA)
- 7. AMMO CANS W/CAL.50 CLEANING ROD AND CASE: T&E MECH, CAL.50
- 8. AMMO CAN, 5.56 (1 EA)
- 9. C-RATION CASES (3 EA)
- 10. NIGHT VISION GOGGLES (PVS-5)/SIGHT (PVS-4)
- 11. NIGHTSIGHT COOLANT TRAYS
- 12. TELEPHONE SET, TA-1 OR TA-312
- 13. NIGHT VISION SIGHT
- 14. NIGHTSIGHT, COLLIMATOR
- 15. M21 MINE BOX (FOR MINES, FLARES, BOOBY TRAPS)
- 16. FLAG SET
- 17. RUCK SACKS (4 EA)

---

---

---

---

---

---

---

---

---

---

---